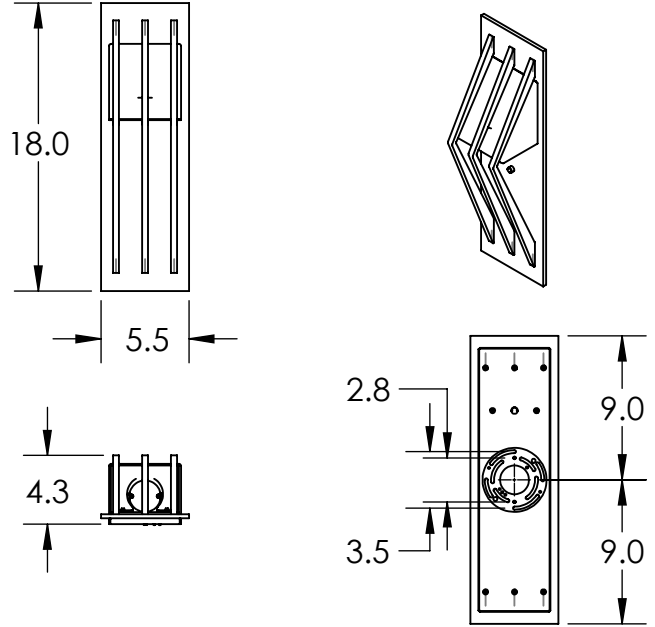


All dimensions are shown in inches unless otherwise stated.



Mounting Method: J-Box Wall Mount

PRODUCT DESCRIPTION

Slim and sleek with crisp architectural details, the Bridge sconce makes a big design statement for a Dark Sky compliant sconce. AC LED lamping minimizes energy consumption and fixture maintenance. Choose from three AAMA 2604-rated all-climate finishes.

The Bridger sconce is certified as Dark Sky Compliant by the International Dark Sky Association (IDA), and it includes a lifetime warranty to the original purchaser.

SCAN FOR MORE INFORMATION

PRODUCT SPECIFICATION

- Construction: Aluminum Body
- Finish Options: **AG** **SB** **TB**
- Glass Types:
- Suspension Method: Wall Mount
- Weight(lbs.): 6
- UL Rating: Wet
- Top Diffuser: Closed Metal
- Bottom Diffuser: Open
- Light Source: LED
- Electrical Qty: 1
- Wattage (Watts): 4.5
- Voltage (Volts): 120
- Source Lumens: 400
- Dimming: ELV to 1%
- CCT: 3000K
- Driver Quantity & Location: 0
- CRI: 93+
- Power Factor: >0.9

Notes:

GENERAL NOTES:

Visit studio.hammerton.com to read about our Lifetime Limited Warranty.

All Hammerton fixtures are handcrafted by artisans. Subtle imperfections reflect the mark of the artisan and should be expected in any handcrafted product. Dimensions may vary up to 7/8".

Rev **(B)** 6/21/2021