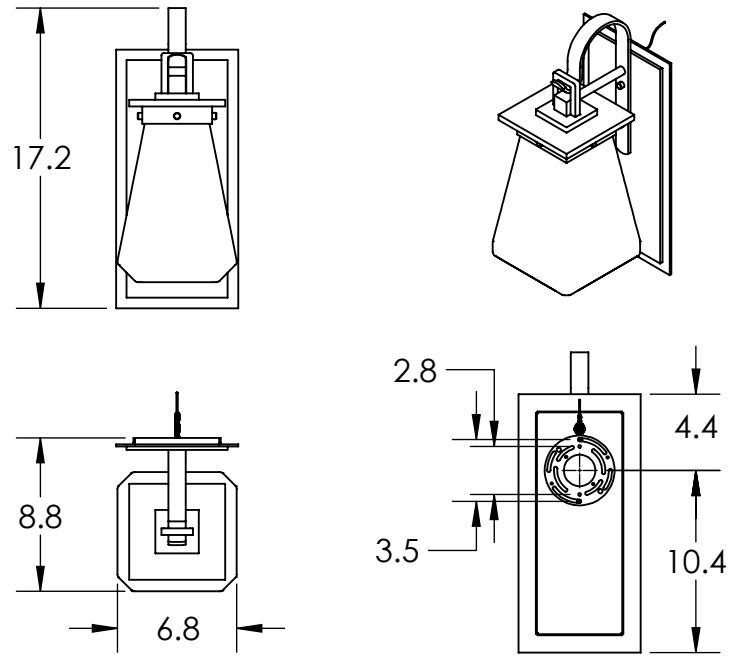


All dimensions are shown in inches unless otherwise stated.



Mounting Method: J-Box Wall Mount

**PRODUCT DESCRIPTION**

A fresh re-interpretation of an old-world lantern silhouette, the Beacon Sconce with Shepherd's Hook features a large artisan blown glass shade with a clear chilled texture. It is offered with both incandescent and AC LED lamping, but note that **only the AC LED option is IDA Dark Sky compliant.**

Choose from three AAMA 2604-rated finishes that provide long-lasting UV and corrosion resistance in coastal and other harsh climates. All Beacon lighting includes a lifetime warranty to the original purchaser.

**PRODUCT SPECIFICATION**

*Bulbs Not Included*

Construction: Aluminum Body With Blown Glass

Finish Options: **AG** **SB** **TB**

Glass Types: **HC**

Suspension Method: Wall Mount

Weight (lbs.): 11

UL Rating: Wet

Top Diffuser: Closed

Bottom Diffuser: Closed Glass

Light Source: Incandescent

Bulb Qty: 1

Wattage (Watts): 75

Voltage (Volts): 120

Bulb Type: A

Socket Type: Medium, E26

Driver Quantity & Location: 1, in J-Box

SCAN FOR MORE INFORMATION



Notes:

**GENERAL NOTES:**

Visit [studio.hammerton.com](http://studio.hammerton.com) to read about our Lifetime Limited Warranty.

All Hammerton fixtures are handcrafted by artisans. Subtle imperfections reflect the mark of the artisan and should be expected in any handcrafted product. Dimensions may vary up to 7/8".

Rev (B) 6/7/2021