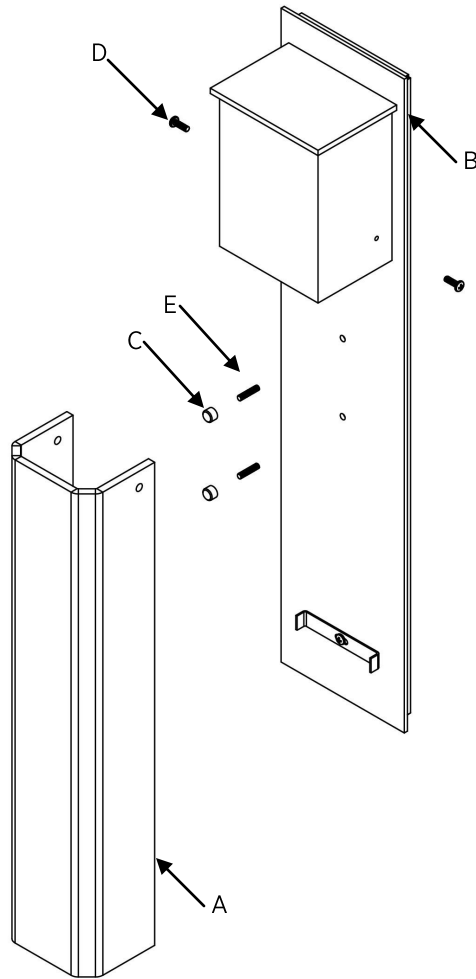


## Included Components

- A. Lens
- B. Fixture body
- C. Cylinder knobs (Qty:2)
- D. #8-32 Pan Head Screws (Qty:2)
- E. All Thread (Qty:2)
- F. Mounting Packet U, With Instructions

## Required Tools

- 1. Philips screw driver (not provided)
- 2. Sealant for weatherproofing (not provided)



Example Fixture: ODB0040-23, with glass lens

## Assembly Instructions

**Step 1:** Mount the fixture body (B) to the wall using the provided instruction with Mounting packet U.

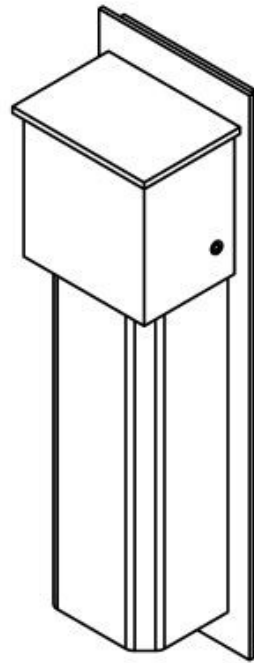
**Sealant must be applied to back plate for weatherproofing**

**Step 2:** Make electrical connections. Both AC-LED and GU-10 base are connected directly to 120v source.

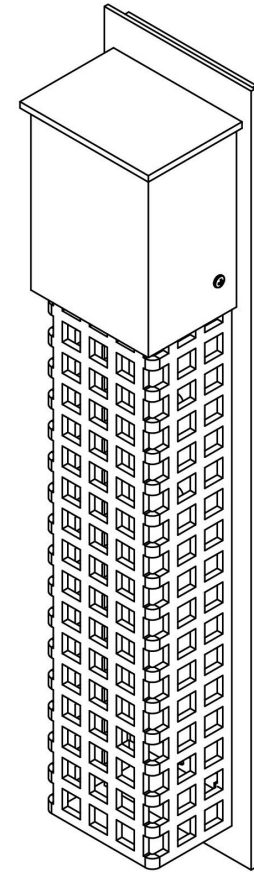
**Step 3:** Install lamping. (For AC-LED product skip this step and continue to step 4)

**Step 4:** Install Lens on fixture, by sliding lens into the housing. Tighten #8-32 pan head screws until tight. Make sure the screws are going into the mounting holes of the lens or damage to the lens may occur.

**Step 5:** If needed the bracket at the bottom of the fixture can be adjusted, by loosening the screw, to center lens on fixture.



Example Fixture: ODB0040-16, with glass lens



Example Fixture: ODB0040-23, with tweed lens

## Warranty

See [www.hammertonstudio.com/warranty](http://www.hammertonstudio.com/warranty)

## About Hammerton Studio

---

### HAMMERTON STUDIO

In 2013, the Hammerton Studio brand was created to offer artisan-crafted, contemporary design solutions that are both versatile and accessible. Hammerton Studio fixtures add contemporary distinction to entries, great rooms and master suites, yet are cost-effective enough to use throughout any residential or commercial projects. Like all Hammerton fixtures, they are designed and fabricated in Salt Lake City, Utah using domestically sourced materials.

### POWERFUL DESIGN

Since 1992, Hammerton has been known for extraordinary decorative lighting that is boldly designed, expertly rendered, perfectly proportioned and exquisitely detailed. Each fixture exudes a design aesthetic that is timeless and enduring, yet remarkably relevant.

### UNCOMPROMISING CRAFTSMANSHIP

In addition to their exceptional metalworking and finishing expertise, Hammerton artisans share an aesthetic eye and a sculptural talent that define the difference between ordinary and extraordinary craftsmanship. Every fixture demonstrates its artisan's ability to elevate craft to an art form.

### UNIQUE MATERIALS

Hammerton's recent acquisition of the Lightspann brand has added unparalleled strength in all types of artisan glass, including hand-blown, slumped, fused, and lampworked glass. The combination of Hammerton's traditional metalworking and Lightspann glass allows steel, woven mesh, fabric and glass to be combined in a manner which cannot be duplicated

### A REPUTATION REFLECTED BY OUR CLIENTS

Hammerton fixtures are as extraordinary as the clients who purchase them, including Forbes 400 members, Fortune 500 leaders, award-winning entertainers, fashion and interior designers, sports legends, and leading luxury hospitality brands.

Hammerton  
217 Wright Brothers Drive  
Salt Lake City, UT  
84116

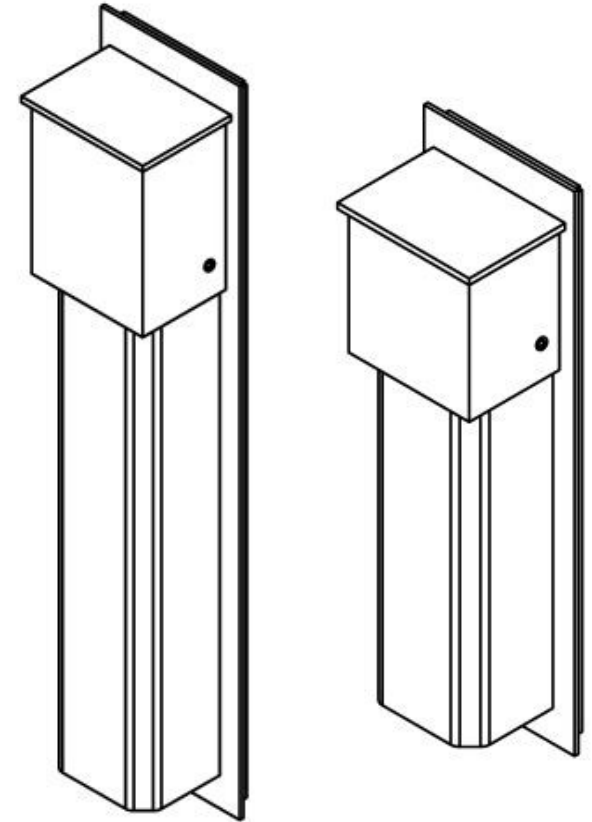
801-973-8095  
info@hammerton.com  
www.hammerton.com

HAMMERTONSTUDIO™

# Assembly Instructions

## Outdoor Square Sconce — ODB0040

*Image below is a representation of applicable product collection*



**WARNING: FAILURE TO INSTALL THIS FIXTURE PROPERLY MAY RESULT IN SERIOUS PERSONAL INJURY OR DEATH AND PROPERTY DAMAGE.**

It is recommended that this product be installed by a licensed electrician.

41-001-00002  
Rev 2